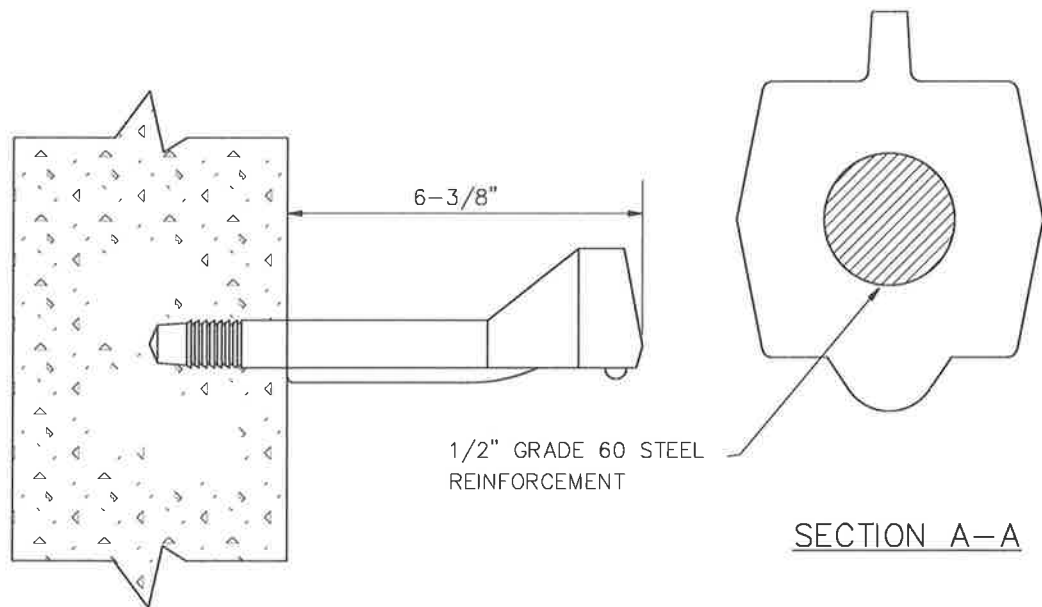


COPOLYMER POLYPROPYLENE PLASTIC



DATE  
10/25/2019

DRAWING  
D.9S

SOUTHWEST METROPOLITAN  
WATER & SANITATION DISTRICT

PLASTIC  
STEP  
DETAIL