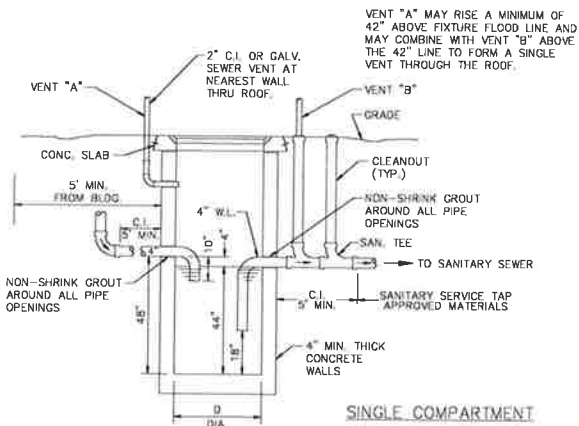
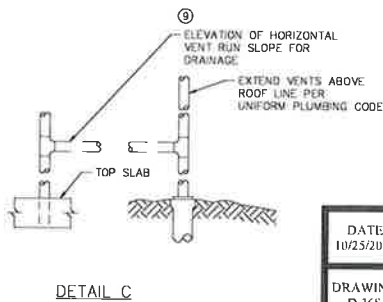
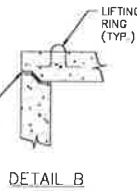
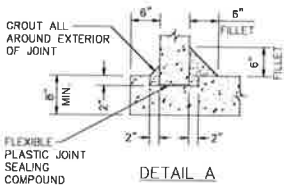


**LOW RATE-SINGLE COMPARTMENT**

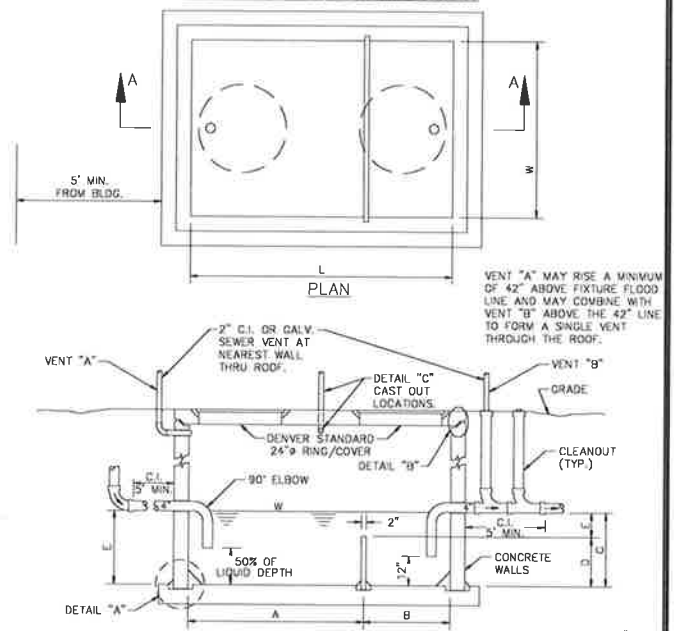


**SINGLE COMPARTMENT**

RATED CAPACITY	D
85 GALLON	24"
200 GALLON	36"



**HIGH RATE - DUAL COMPARTMENT**



**SECTION "A-A" DUAL COMPARTMENT**

RATED CAPACITY	L	W	A	B	C	D	E
750 GALLON	96"	48"	64"	32"	38"	25"	13"
1000 GALLON	108"	72"	72"	36"	30"	20"	10"
1500 GALLON	120"	72"	80"	40"	40"	27"	13"

DATE 10/25/2019	SOUTHWEST METROPOLITAN WATER & SANITATION DISTRICT	LOW & HIGH RATE SAND AND OIL INTERCEPTOR
DRAWING D 26S		