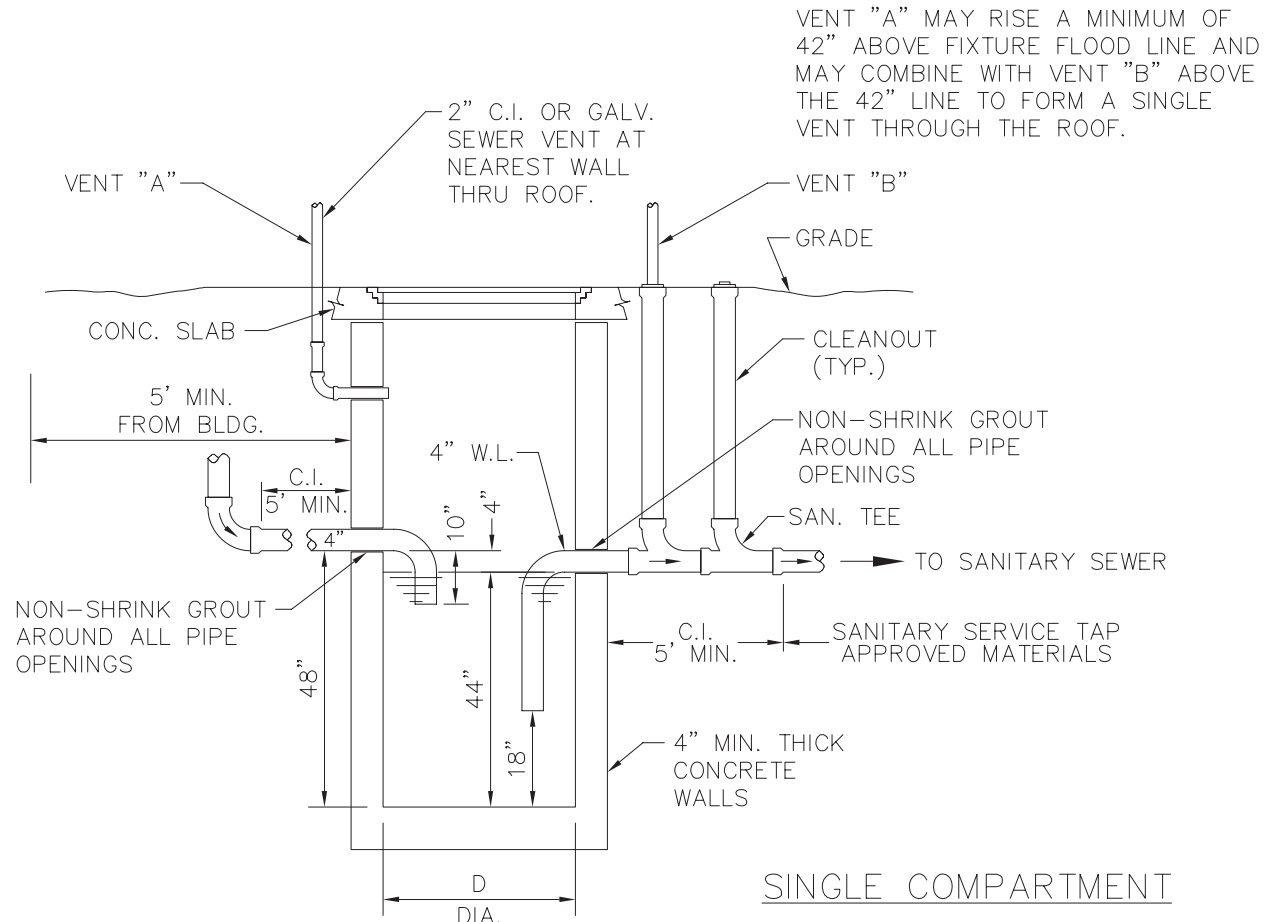
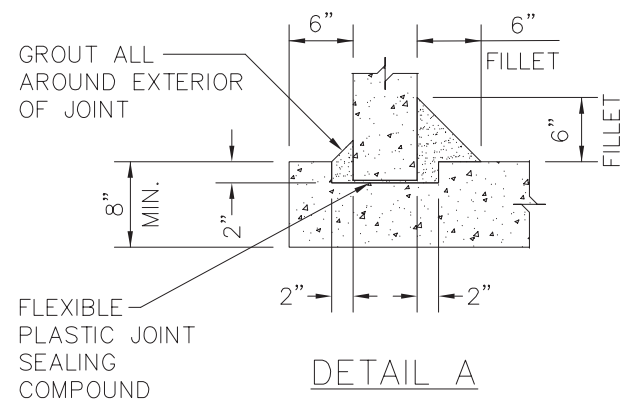


LOW RATE - SINGLE COMPARTMENT



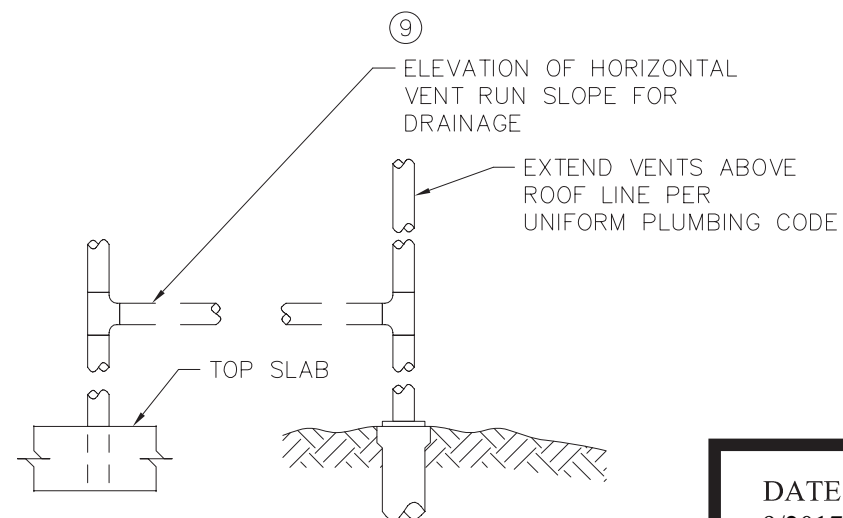
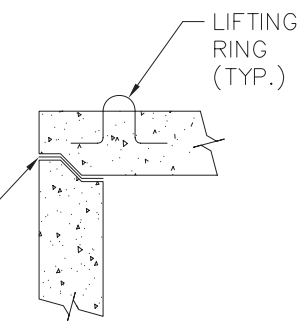
SINGLE COMPARTMENT

RATED CAPACITY	D
85 GALLON	24"
200 GALLON	36"



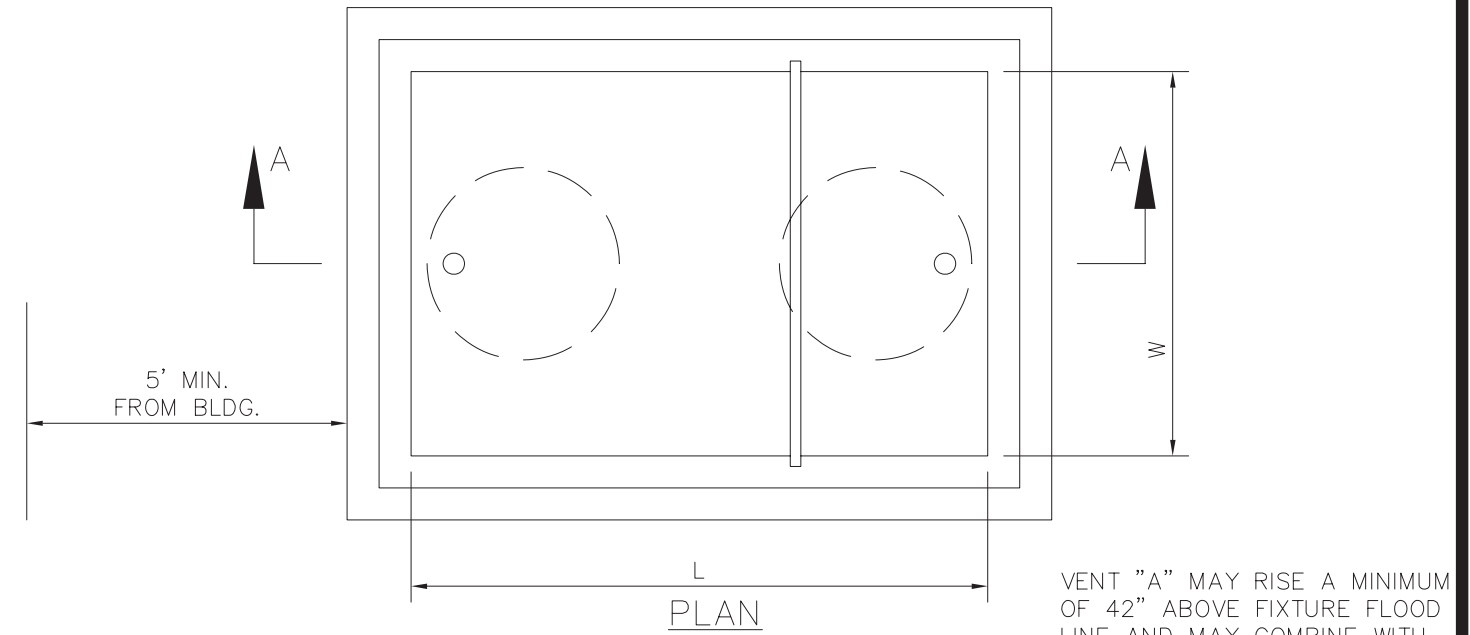
SET TOP SLAB ON MORTAR, GROUT OUTSIDE EDGE AFTER INSTALLATION.

DETAIL B

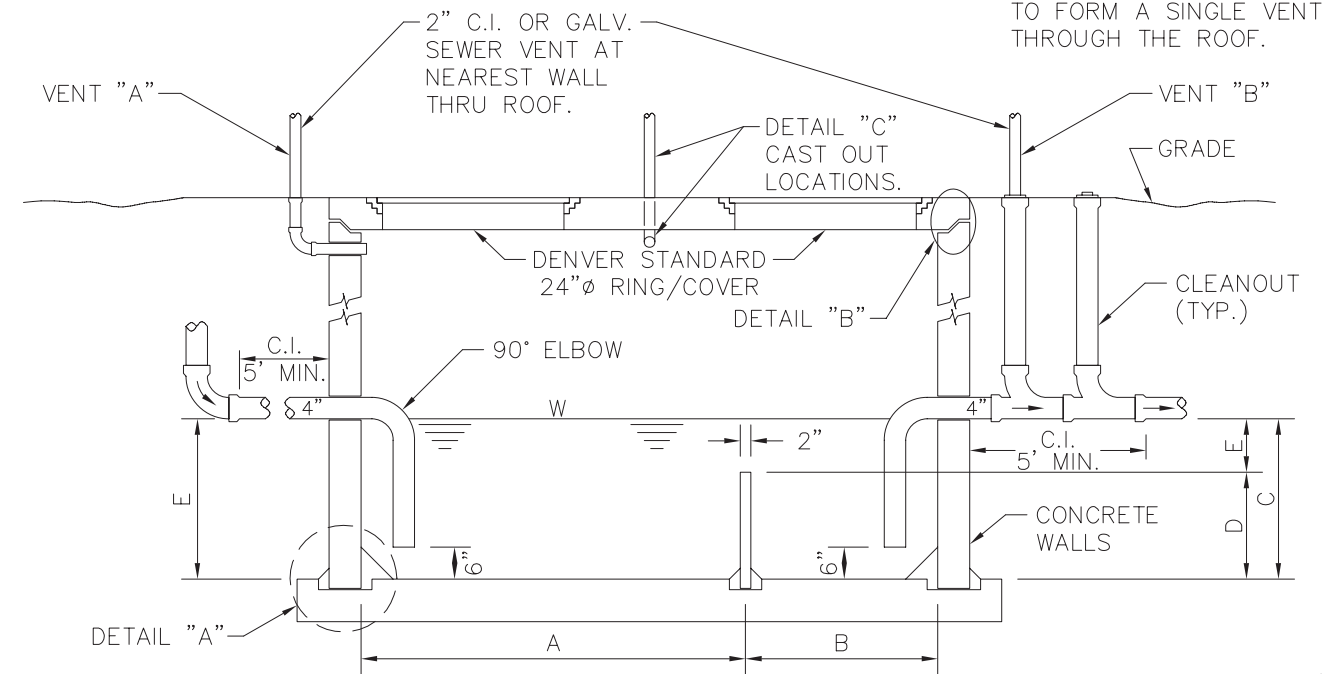


DETAIL C

HIGH RATE - DUAL COMPARTMENT



VENT "A" MAY RISE A MINIMUM OF 42" ABOVE FIXTURE FLOOD LINE AND MAY COMBINE WITH VENT "B" ABOVE THE 42" LINE TO FORM A SINGLE VENT THROUGH THE ROOF.



SECTION "A-A"  
DUAL COMPARTMENT

NOTE: F = C+2"  
G = D-2"

RATED CAPACITY	L	W	A	B	C	D	E
750 GALLON	96"	48"	64"	32"	38"	25"	13"
1000 GALLON	108"	72"	72"	36"	30"	20"	10"
1500 GALLON	120"	72"	80"	40"	40"	27"	13"

DATE  
9/2017

DRAWING  
D.26S

SOUTHWEST METROPOLITAN  
WATER & SANITATION DISTRICT

LOW & HIGH RATE  
SAND AND OIL  
INTERCEPTOR