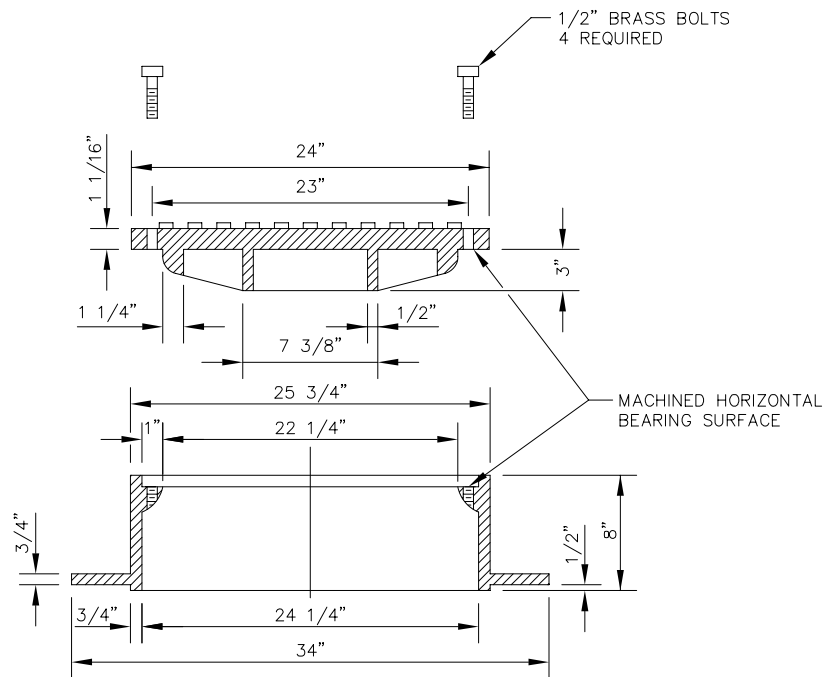


PLAN



SECTION A-A

NOTE:

- | | | | | | |
|--------------------------------------------------------------------------------------------------------------------------------------------------------------------------------|-----------------------------------------------------------------------------------------------------------------------------------------------------------------------------------------------------------------------------------------------------------------------------------------------------------------------------------------------------------------------------------------------|---------------|--------|--------------|--------|
| <p>1. CASTING SPECIFICATIONS: ASTM A-48 WITH A MINIMUM TENSILE STRENGTH OF 25 KSI (CLASS 25)</p> <p>2. ALL CASTINGS TO BE DIPPED IN ASPHALT BASE PAINT (OR APPROVED EQUAL)</p> | <p>3. CASTINGS SHALL BE AS SPECIFIED BELOW OR EQUAL: (CAST IRON ONLY)</p> <table border="0" style="width: 100%;"> <tr> <td style="text-align: left;">MANUFACTURERS</td> <td style="text-align: right;">CAT. #</td> </tr> <tr> <td style="text-align: left;">J MARK CORP.</td> <td style="text-align: right;">J-1161</td> </tr> </table> <p>4. COVER SHALL HAVE SELF CENTERING BOLT HOLES.</p> | MANUFACTURERS | CAT. # | J MARK CORP. | J-1161 |
| MANUFACTURERS | CAT. # | | | | |
| J MARK CORP. | J-1161 | | | | |

DATE
10/2007

DRAWING
D.9S

SOUTHWEST METROPOLITAN
WATER & SANITATION DISTRICT

24" RING &
BOLT DOWN COVER