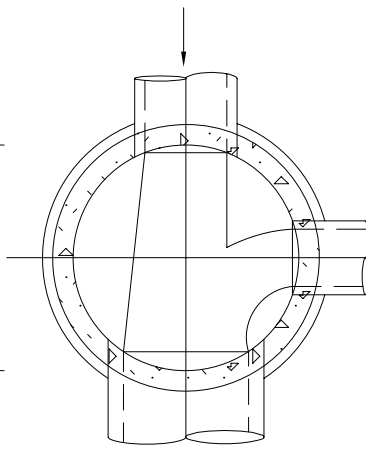
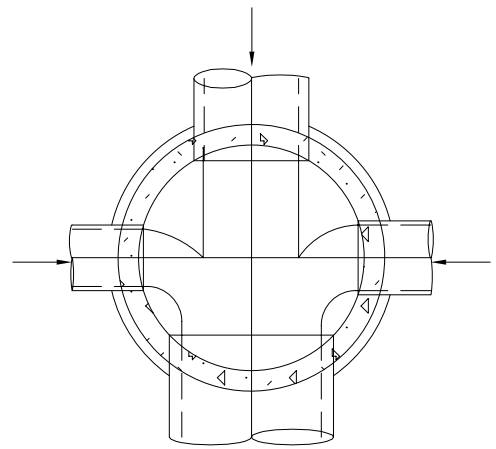


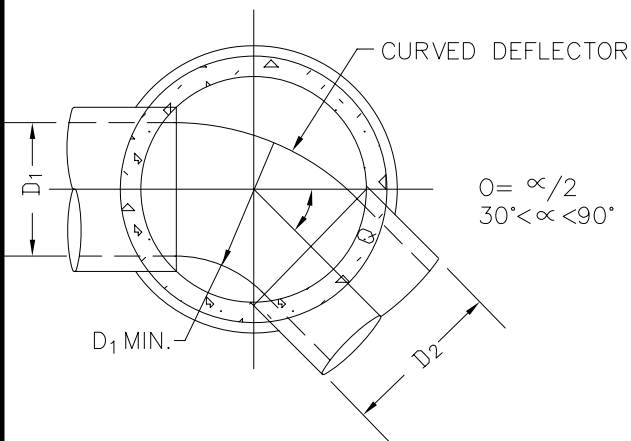
THROUGH PIPE



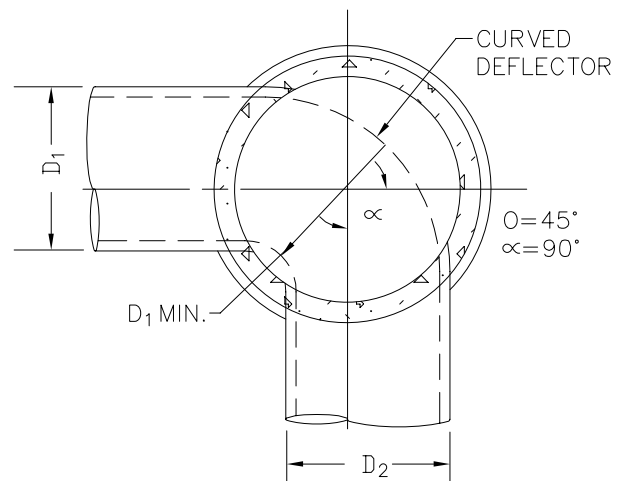
THROUGH PIPE
ONE COLLECTION LINE



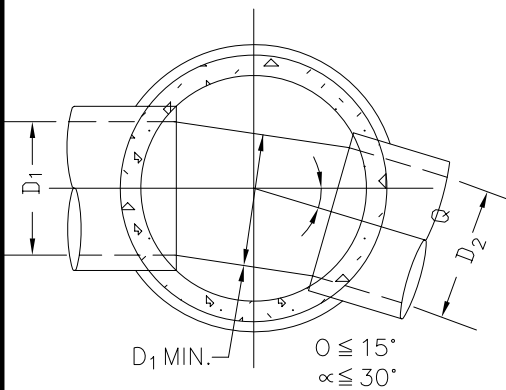
THROUGH PIPE
TWO COLLECTION LINES



INTERMEDIATE ANGLE

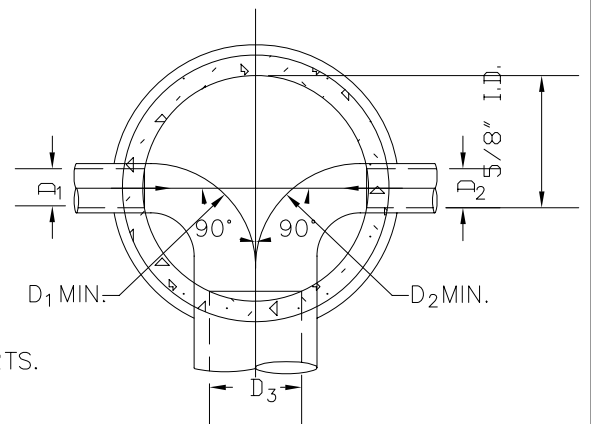


SHARP ANGLE



INTERMEDIATE ANGLE

NOTE:
1. DETAILS SHOWN ARE TYPICAL
ONLY FOR INSTALLATIONS
WITH A MAXIMUM OF UP TO
(INSIDE DROP)
18 INCH DIFFERENCE IN INVERTS.



OPPOSED LATERALS

DATE
10/2007

DRAWING
D.6S

SOUTHWEST METROPOLITAN
WATER & SANITATION DISTRICT

BASE & DEFLECTOR
DETAIL