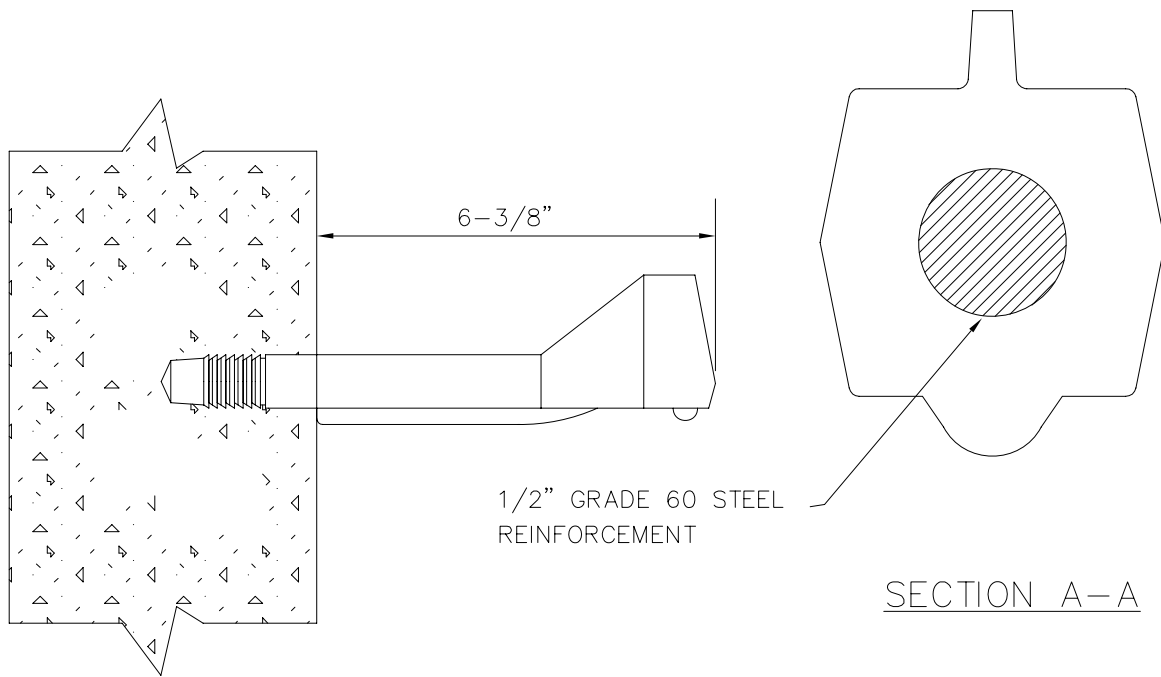


COPOLYMER POLYPROPYLENE PLASTIC



DATE
10/2007

DRAWING
D.11S

SOUTHWEST METROPOLITAN
WATER & SANITATION DISTRICT

PLASTIC
STEP